



BRILLIANT GRAMMAR SCHOOL EDUCATIONAL SOCIETY'S GROUP OF INSTITUTIONS-INTEGRATED CAMPUS

(Approved by A.I.C.T.E & P.C.I, New Delhi, Affiliated to JNTUH, Hyderabad)

Abdullapur (V), Abdullapurmet (M), R.R Dist. Hyderabad – 501505

website: www.bgiic.ac.in, E-mail : principal@bgiic.ac.in, principal.7q@gmail.com Cell:9442263457

2.2.1 QIM The institution assesses the learning levels of the students, after their admission and organizes special Programmes in other to distinguish them according to their learning abilities and term them as advanced learners and slow learners.

Induction Day:

The institution organizes a induction programme for new joining fresher's to facilitate them with the basics of the degree, in which the Principal, respective Heads of the various Departments and Teachers interact with the Parents and Students, giving them a brief overview of the degree. An interactive environment is created which helps to assess the knowledge of students according to their interests.


Special orientation is conducted to the students who are admitted into different Engineering Courses where they get to acknowledge Course Structure, Exam pattern and overall vision of course is introduced which helps and enable them to cope up with the syllabus of the course.

Slow learners:

When compared to schools there is a change in the teaching environment and the pattern college's follow, due to which students sometime find it difficult to cope up and grasp the subjects especially at the starting of their college I.e in their first semester.

Strategies for slow learners:

- Tutorials / remedial classes are conducted for these students to explain the critical topics, to clarify their doubts as to foster improvement in their academic performance.
- We keep a close eye on students' attendance, and we'll notify parents of students who are often absent or tardy through SMS or phone call. in order to encourage them to routinely attend the classes.


 DIRECTOR
 Brilliant Grammar School
 Educational Society's Group
 of Institutions-Integrated Campus (7Q)
 Abdullapur (V), Abdullapurmet (M).
 R.R. Dist-501505.



BRILLIANT GRAMMAR SCHOOL EDUCATIONAL SOCIETY'S GROUP OF INSTITUTIONS-INTEGRATED CAMPUS

(Approved by A.I.C.T.E & P.C.I, New Delhi, Affiliated to JNTUH, Hyderabad)

Abdullapur (V), Abdullapurmet (M), R.R Dist. Hyderabad – 501505

website: www.bgiic.ac.in, E-mail : principal@bgiic.ac.in, principal.7q@gmail.com Cell:9442263457


- Along with helping them succeed academically, we encourage students to take an active role in all of their extracurricular activities.
- For every 20 students, one of our faculty members is assigned as a mentor or counselor; they regularly engage with the students in friendly interactions and assist them in resolving their individual issues and achieving their objectives.
- Assigning regular homework is an essential part of our teaching approach for slow learners because they give students the opportunity to practice and revise their understanding of the subject on their own, resulting in a complete understanding of the subject.

Advanced learners:

Advanced learners are those who are really good at problem solving and also perform well in their mid examinations, they are identified and the following strategies are performed.

Strategies for Advanced Learners:

- Bright students are those who excel at problem-solving and also perform well on midterm exams; these students are identified and the following strategies are used.
- Students are encouraged to join professional organizations in order to advance their overall skills.
- They are put to the test with a variety of tasks and assignments in order to improve their performance and skills.
- Based on performance and talents demonstrated within classroom, a class representative is chosen for each class. The class representative assumes responsible for organizing departmental seminars and workshops that provide opportunities for interaction with academic and professional specialists.
- They are motivated in taking internships in industries that are related to their core subjects.


 DIRECTOR
 Brilliant Grammar School
 Educational Society's Group
 of Institutions-Integrated Campus (7Q)
 Abdullapur (V), Abdullapurmet (M).
 R.R. Dist-501505.



BRILLIANT GRAMMAR SCHOOL EDUCATIONAL SOCIETY'S GROUP OF INSTITUTIONS-INTEGRATED CAMPUS

(Approved by A.I.C.T.E & P.C.I, New Delhi, Affiliated to JNTUH, Hyderabad)

Abdullapur (V), Abdullapurmet (M), R.R Dist. Hyderabad – 501505

website: www.bgiic.ac.in, E-mail : principal@bgiic.ac.in, principal.7q@gmail.com Cell:9442263457



GPS Map Camera



Rangareddy, Telangana, India
BRILLIANT GRAMMAR SCHOOL EDUCATIONAL SOCIETY 'S GROUP
OF INSTITUTIONS - INTEGRATED CAMPUS, Telangana 501512, India
Lat 17.316744° Long 78.705554°
20/01/25 10:46 AM GMT +05:30

Group Discussion among the students to share the knowledge


DIRECTOR
Brilliant Grammar School
Educational Society's Group
of Institutions-Integrated Campus (7Q)
Abdullapur (V), Abdullapurmet (M),
R.R. Dist-501505.



BRILLIANT GRAMMAR SCHOOL EDUCATIONAL SOCIETY'S GROUP OF INSTITUTIONS-INTEGRATED CAMPUS

(Approved by A.I.C.T.E & P.C.I, New Delhi, Affiliated to JNTUH, Hyderabad)

Abdullapur (V), Abdullapurmet (M), R.R Dist. Hyderabad – 501505

website: www.bgiic.ac.in, E-mail : principal@bgiic.ac.in, principal.7q@gmail.com Cell:9442263457

DEPARTMENT OF COMPUTER SCIENCE AND ENGINEERING STUDENTS IN THE ACADEMIC YEAR 2023-2024

ADVANCED LEARNERS

S.NO	H.T.NO.	NAME OF THE STUDENT
1	207Q1A0501	A. MOUNIKA
2	207Q1A0502	ANDAPALLI SREEJA
3	207Q1A0510	CHENNOJA VARA LAKSHMI
4	207Q1A0529	KAMMARA UMA NAGA SREE
5	207Q1A0531	KASTURI BHARATHI
6	207Q1A0532	KATA MADHURI
7	207Q1A0536	KOSGI AKHILA
8	207Q1A0544	MOHAMMED FAUZAAN
9	207Q1A0545	MOHAMMED NAWAZ SHAREEF
10	207Q1A0547	NAMOJU AKHILA
11	207Q1A0548	NAMOJU ANUSHA
12	207Q1A0549	NAMOJU NIKITHA
13	207Q1A0556	RAMAVATH LOHITHA
14	217Q5A0501	ALMULA KAVYA
15	217Q5A0502	BEVARA GOWTHAMI
16	217Q5A0503	CHEELA PUSHPAVATHI
17	217Q5A0504	DIDDI SAI CHARAN
18	217Q5A0505	GATTU HARIKA
19	217Q5A0511	SAMA MAHESH REDDY
20	217Q5A0512	SODAPURAM NIKHIL
21	217Q5A0513	U SWATHI
22	217Q5A0514	UPPUTALLI KISHORE
23	217Q5A0515	BANDA VAMSHIKUMAR
24	217Q5A0524	NAGAPURI SRAVAN KUMAR YADAV
25	217Q5A0525	POLAPAKA VAMSHI

SLOW LEARNERS

S.NO	H.T.NO.	NAME OF THE STUDENT
1	207Q1A0527	KOLA MANOHAR
2	207Q1A0528	KADIYALA KARTHIK
3	207Q1A0506	BHOYIRE NAVEEN
4	207Q1A0507	BHUKYA RAKESH
5	207Q1A0513	DANDU NITHIN
6	207Q1A0530	KANDAKATLA VISHWAS
7	207Q1A0533	KETHAVATH ARUN NAYAK
8	207Q1A0535	KOMMU KALYAN
9	207Q1A0570	PADASANABOIENA CHANDU
10	207Q1A0571	RATHOD PREM NAIK
11	217Q5A0516	VANAM NAVEEN KUMAR
12	217Q5A0518	CHINNA AVULA PRAVEEN KUMAR
13	217Q5A0533	VANAMA RAKESH
14	217Q5A0508	KAVVAMPALLY ESHWAR
15	217Q5A0509	MALOTH SANTHOSH
16	217Q5A0506	GIRAM CHANTI
17	217Q5A0507	KASTHIPURAM VISHWANATH
18	207Q1A0539	MANDHA KISHOR
19	207Q1A0540	MALA KURUMURTHI
20	207Q1A0542	MANCHIRYAL SURYATEJA
21	207Q1A0543	MOHAMMED ABRAR
22	207Q1A0561	SATYAM KUMAR JHA
23	207Q1A0562	SODABOINA RAKESH
24	207Q1A0517	GADASU SHIVAREDDY
25	207Q1A0508	GAJULA THARUN KUMAR

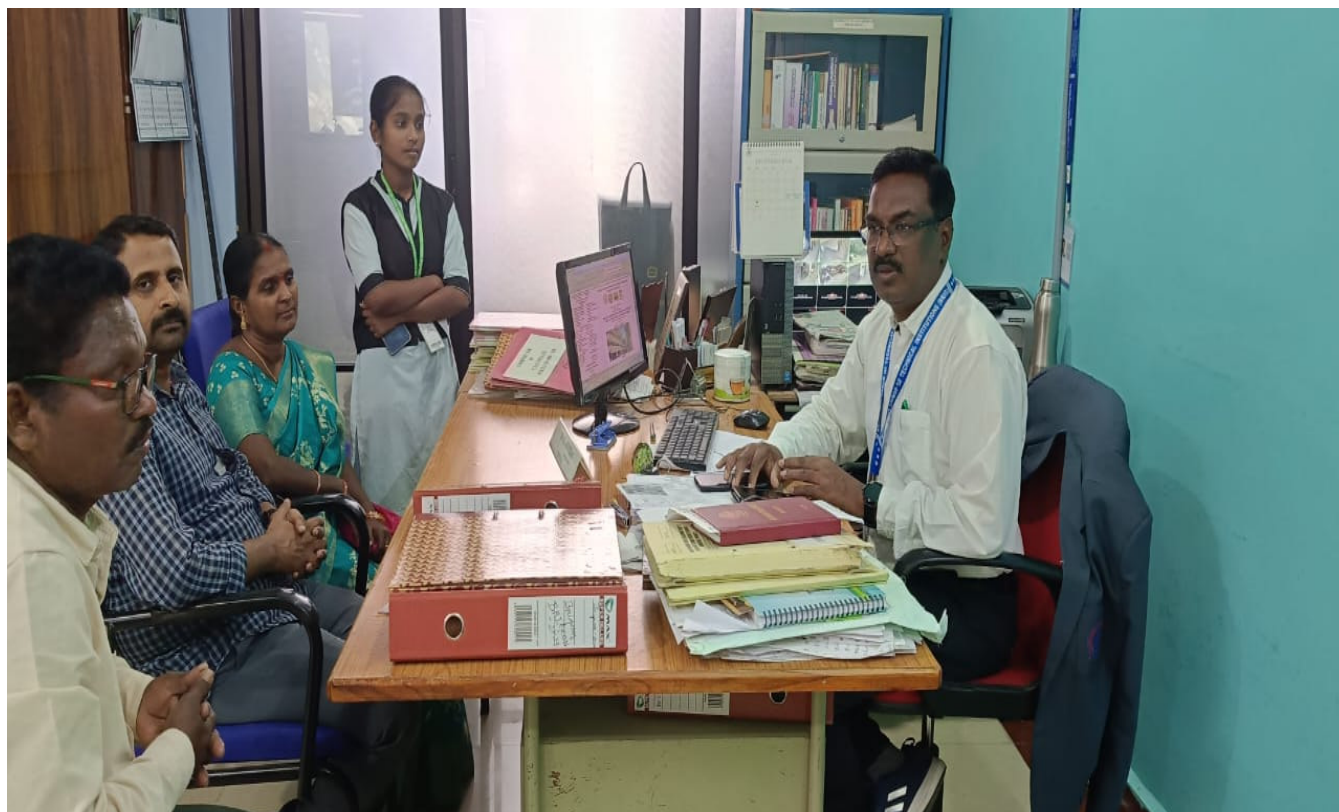


BRILLIANT GRAMMAR SCHOOL EDUCATIONAL SOCIETY'S GROUP OF INSTITUTIONS-INTEGRATED CAMPUS

(Approved by A.I.C.T.E & P.C.I, New Delhi, Affiliated to JNTUH, Hyderabad)

Abdullapur (V), Abdullapurmet (M), R.R Dist. Hyderabad – 501505

website: www.bgiic.ac.in, E-mail : principal@bgiic.ac.in, principal.7q@gmail.com Cell:9442263457



Student Counseling along with parents


DIRECTOR
Brilliant Grammar School
Educational Society's Group
of Institutions-Integrated Campus (7Q)
Abdullapur (V), Abdullapurmet (M).
R.R. Dist-501505.



BRILLIANT GRAMMAR SCHOOL EDUCATIONAL SOCIETY'S GROUP OF INSTITUTIONS-INTEGRATED CAMPUS

(Approved by A.I.C.T.E & P.C.I, New Delhi, Affiliated to JNTUH, Hyderabad)

Abdullapur (V), Abdullapurmet (M), R.R Dist. Hyderabad – 501505

website: www.bgiic.ac.in, E-mail : principal@bgiic.ac.in, principal.7q@gmail.com Cell:9442263457



Conducting Seminars to the Students

DIRECTOR

Brilliant Grammar School
Educational Society's Group
of Institutions-Integrated Campus (7Q)
Abdullapur (V), Abdullapurmet (M),
R.R. Dist-501505.



BRILLIANT GRAMMAR SCHOOL EDUCATIONAL SOCIETY'S GROUP OF INSTITUTIONS-INTEGRATED CAMPUS

(Approved by A.I.C.T.E & P.C.I, New Delhi, Affiliated to JNTUH, Hyderabad)

Abdullapur (V), Abdullapurmet (M), R.R Dist. Hyderabad – 501505

website: www.bgiic.ac.in, E-mail : principal@bgiic.ac.in, principal.7q@gmail.com Cell:9442263457

R18

Code No: 152AG

JAWAHARLAL NEHRU TECHNOLOGICAL UNIVERSITY HYDERABAD

B. Tech I Year II Semester Examinations, March/April - 2023

ENGINEERING GRAPHICS

(Computer Science and Engineering)

Time: 3 hours

Max. Marks: 75

Answer any five questions
All questions carry equal marks

- 1.a) A vertex of a hyperbola is 50 mm from its focus. Draw two parts of the hyperbola, if the eccentricity is $\frac{3}{2}$. Mark asymptotes and directrices.
b) The distance between two towns is 250 km and is represented by a line of length 50mm on a map. Construct a scale to read 600 km and indicate a distance of 530 km on it.[10+5]

OR

2. A circle of 40 mm diameter rolls along a straight line without slipping. Draw the curve traced by a point on the circumference for one and a half revolutions of the circle. Name the curve. Draw a normal and tangent to the curve at a point 25 mm from the straight line. [15]

3. A 100 mm long line PQ is inclined at 30° to the HP and 45° to the VP. A point M lies on the line at a distance of 60 mm from the end P and has the front view 15 mm above the xy and top view 25 mm below its front view. Draw the projections of the line and determine the traces. [15]

OR

4. A triangular plane PQR has its vertices P, Q and R at 40 mm, 60 mm and 20 mm above the HP respectively, and 25 mm, 65 mm and 10 mm in front of the VP respectively. If the projectors of P and Q are 40 mm apart and those of Q and R are 50 mm apart, determine the true shape of the plane PQR. [15]

5. A square pyramid of base side 45 mm and axis 70 mm is resting on its base in the HP with a side of base parallel to the VP. Draw its sectional top view, sectional side view and true shape of the section when it is cut by a plane perpendicular to the VP, bisecting the axis and is inclined at 45° to the HP. [15]

OR

6. Draw the projections of a cone, base 75 mm diameter and axis 100 mm long, lying on the ground on one of its generators with the axis parallel to the VP. [15]

7. Figure 1 shows the front view of a truncated cylinder of diameter 50 mm resting on its base on the HP. Draw the development of its lateral surface. [15]

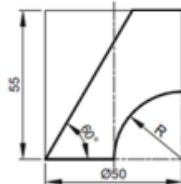


Figure 1

DIRECTOR

Brilliant Grammar School
Educational Society's Group
of Institutions-Integrated Campus (7Q)
Abdullapur (V), Abdullapurmet (M),
R.R. Dist-501505.



BRILLIANT GRAMMAR SCHOOL EDUCATIONAL SOCIETY'S GROUP OF INSTITUTIONS-INTEGRATED CAMPUS

(Approved by A.I.C.T.E & P.C.I, New Delhi, Affiliated to JNTUH, Hyderabad)

Abdullapur (V), Abdullapurmet (M), R.R Dist. Hyderabad – 501505

website: www.bgiic.ac.in, E-mail : principal@bgiic.ac.in, principal.7q@gmail.com Cell:9442263457

OR

8. A square prism of base side 60 mm is resting on its base on the HP. It is completely penetrated by another square prism of base side 40 mm, such that their axes are 10 mm apart. The axis of the penetrating prism is parallel to both H.P. and V.P., while the faces of both the prisms are equally inclined to the V.P. Draw the projections of the combination and show lines of intersection. [15]

9. Draw the front view, top view and side view of the part shown in figure 2. All dimensions are in mm only. [15]

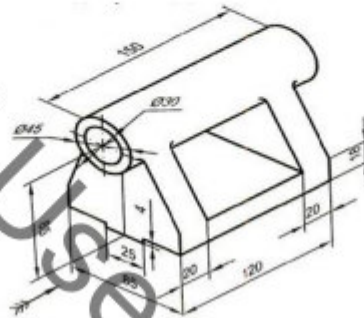


Figure 2

OR

10. Construct the isometric view of orthographic views that are given in figure 3. All dimensions are in mm only. [15]

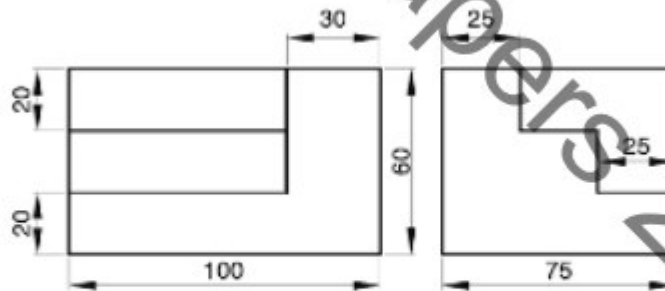


Figure 3

--ooOoo--

Sharing previous question papers to the students


 DIRECTOR
 Brilliant Grammar School
 Educational Society's Group
 of Institutions-Integrated Campus (7Q)
 Abdullapur (V), Abdullapurmet (M),
 R.R. Dist-501505.



BRILLIANT GRAMMAR SCHOOL EDUCATIONAL SOCIETY'S GROUP OF INSTITUTIONS-INTEGRATED CAMPUS

(Approved by A.I.C.T.E & P.C.I, New Delhi, Affiliated to JNTUH, Hyderabad)

Abdullapur (V), Abdullapurmet (M), R.R Dist. Hyderabad – 501505

website: www.bgiic.ac.in, E-mail : principal@bgiic.ac.in, principal.7q@gmail.com Cell:9442263457



Knowledge sharing among advanced learners through Sharing Ideas


DIRECTOR
Brilliant Grammar School
Educational Society's Group
of Institutions-Integrated Campus (7Q)
Abdullapur (V), Abdullapurmet (M),
R.R. Dist-501505.